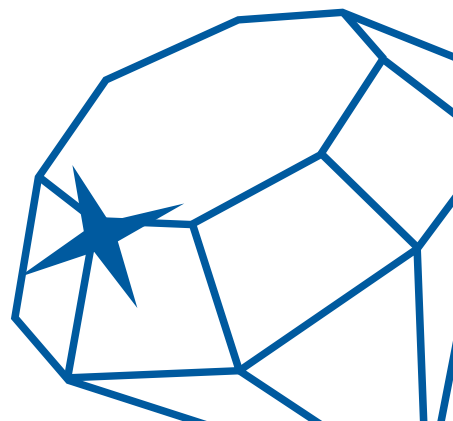


# Horizontal Slider Secondary

Slim Line Equal Leg Section Guide



DURATION  
WINDOWS



# Contents



## Parts

Outer Frames	3
Panel Parts	4

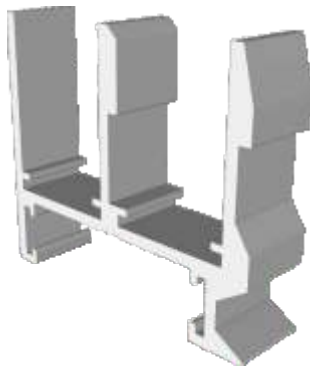
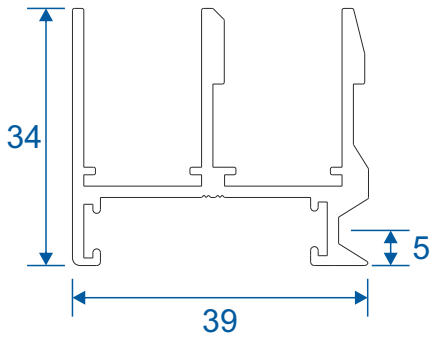
## Sections

2 Pane Slider - All Panes Moving	5
3 Pane Slider - Middle Pane Fixed	6
3 Pane Slider - All Panes Moving	7
4 Pane Slider - All Panes Moving	8
5 Pane Slider - Middle Pane Fixed	9

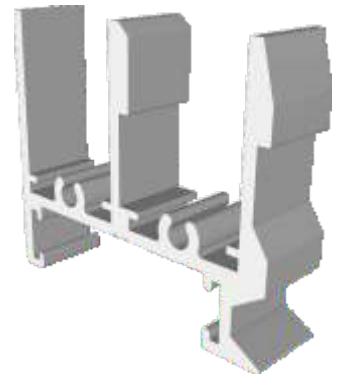
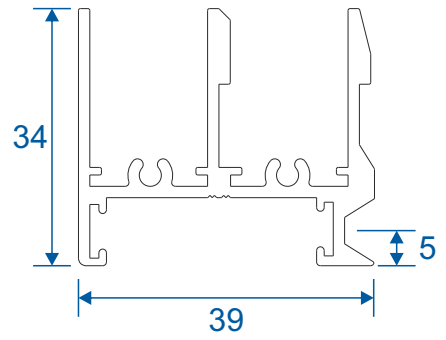
Note: all section pages will show the face fix and reveal fix option.

# Outer Frames

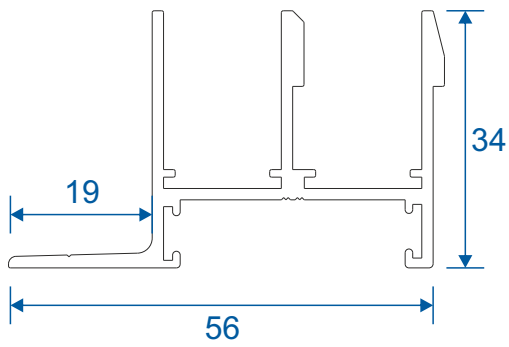
**SG40 - Face Fix Top / Bottom**



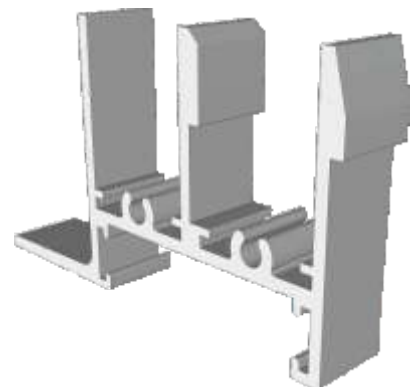
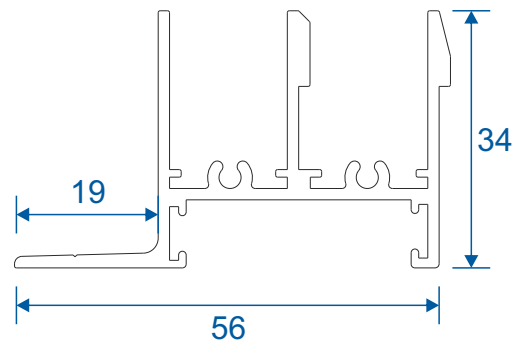
**SG42 - Face Fix Sides (Jambs)**



**SG41 - Reveal Fix Top / Bottom**

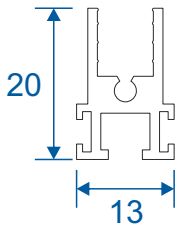


**SG43 - Reveal Fix Sides (Jambs)**

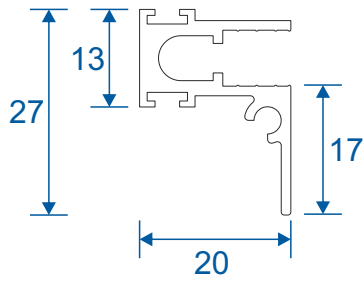


# Panel Parts

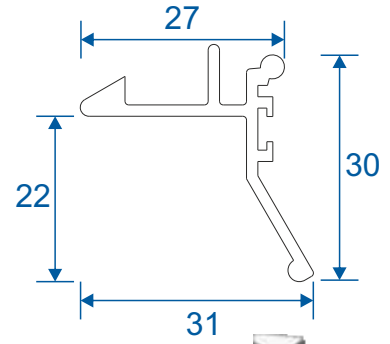
**SG64 - Top / Bottom**



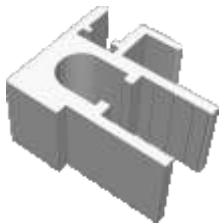
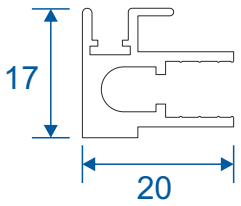
**SG71 - Handle Side (Jamb)**



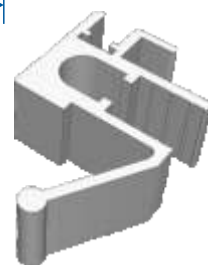
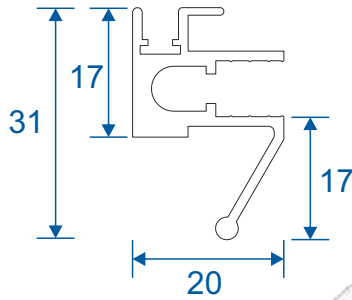
**SG57- Sprung Handle**



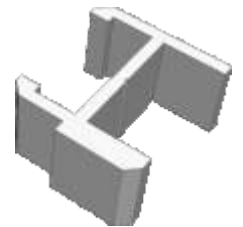
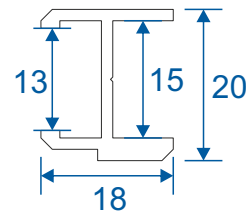
**SG62 - Interlock**



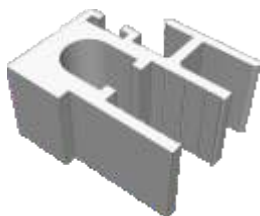
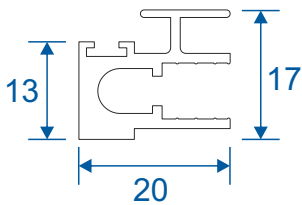
**SG61 - Handle Interlock**



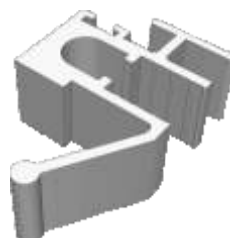
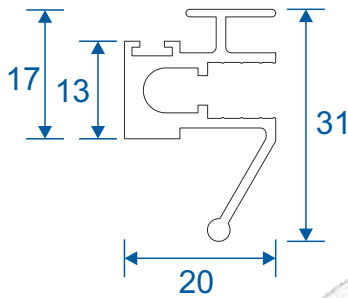
**SG58 - 4 Pane Meeting Stile**



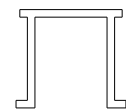
**SG60 - Interlock**



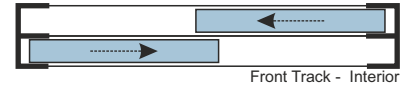
**SG59 - Handle Interlock**



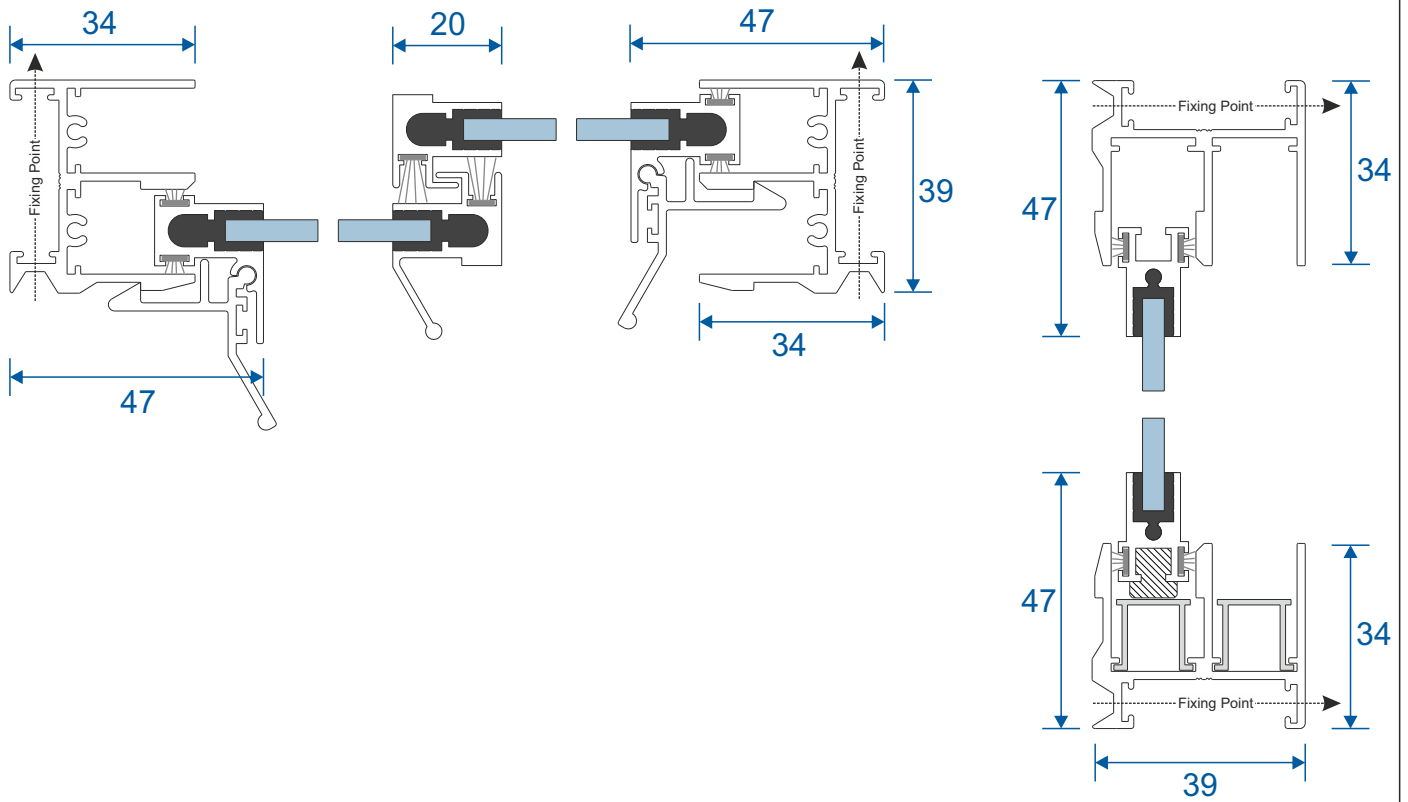
**SG55 - PCV Track**



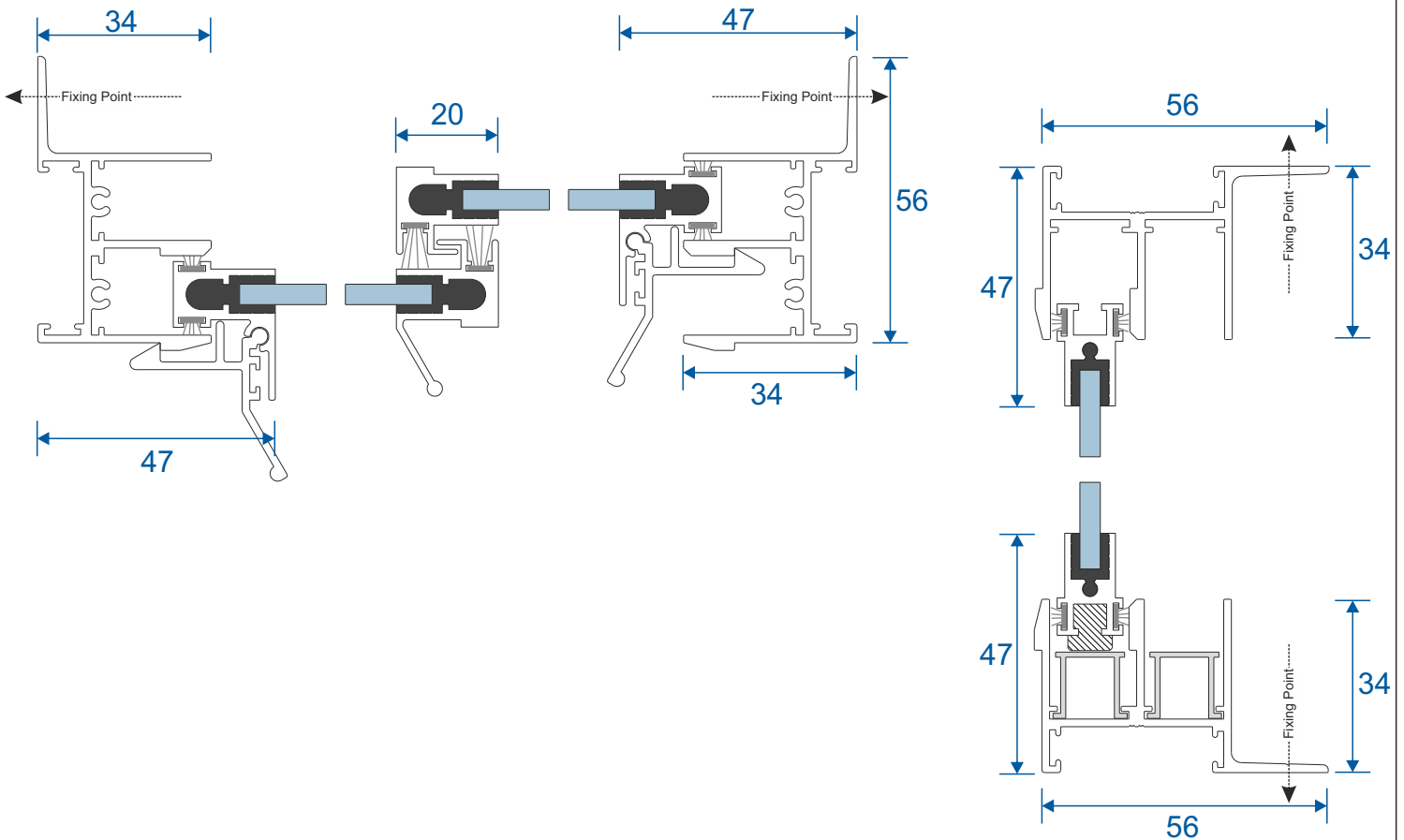
# 2 Panel Slider - All Panels Moving



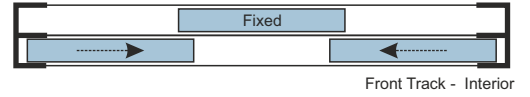
## Face Fix



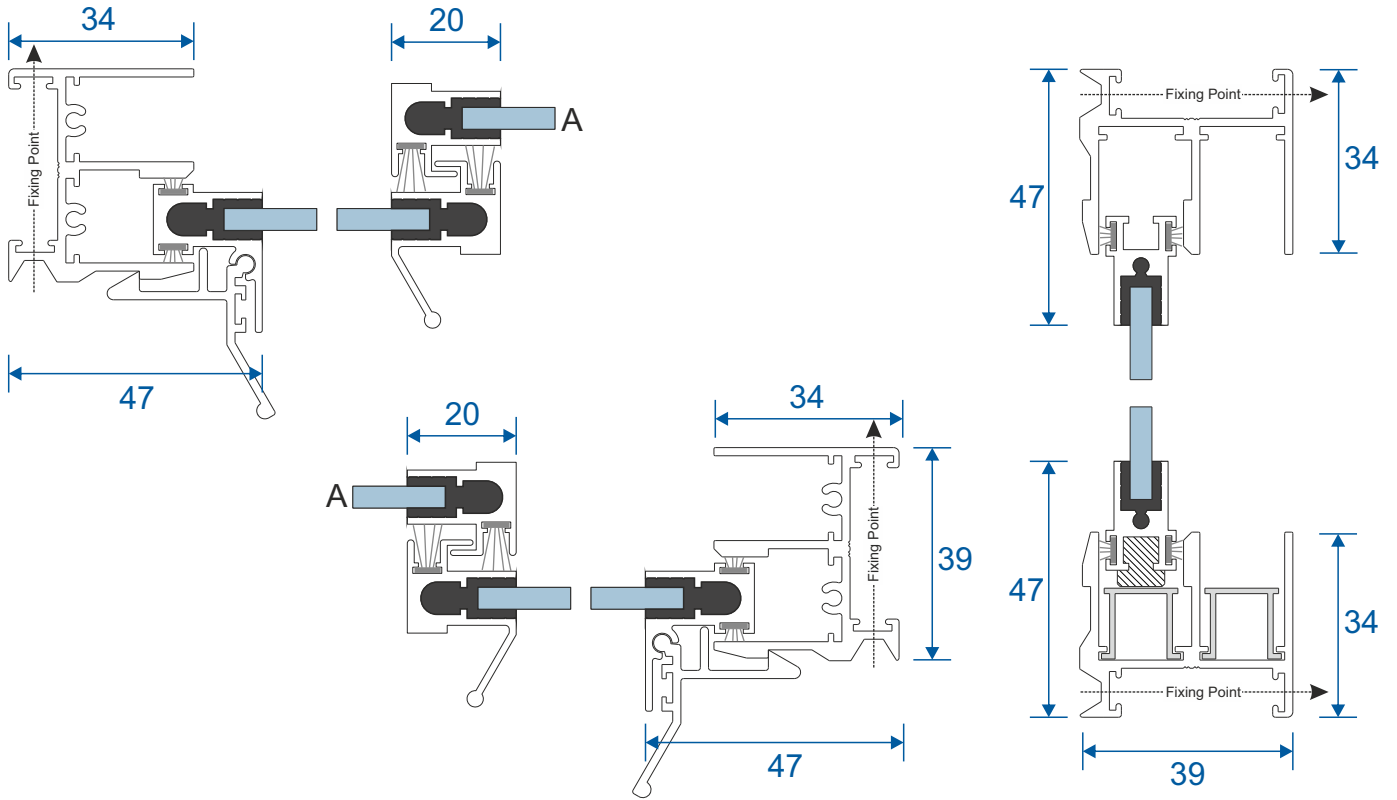
## Reveal Fix



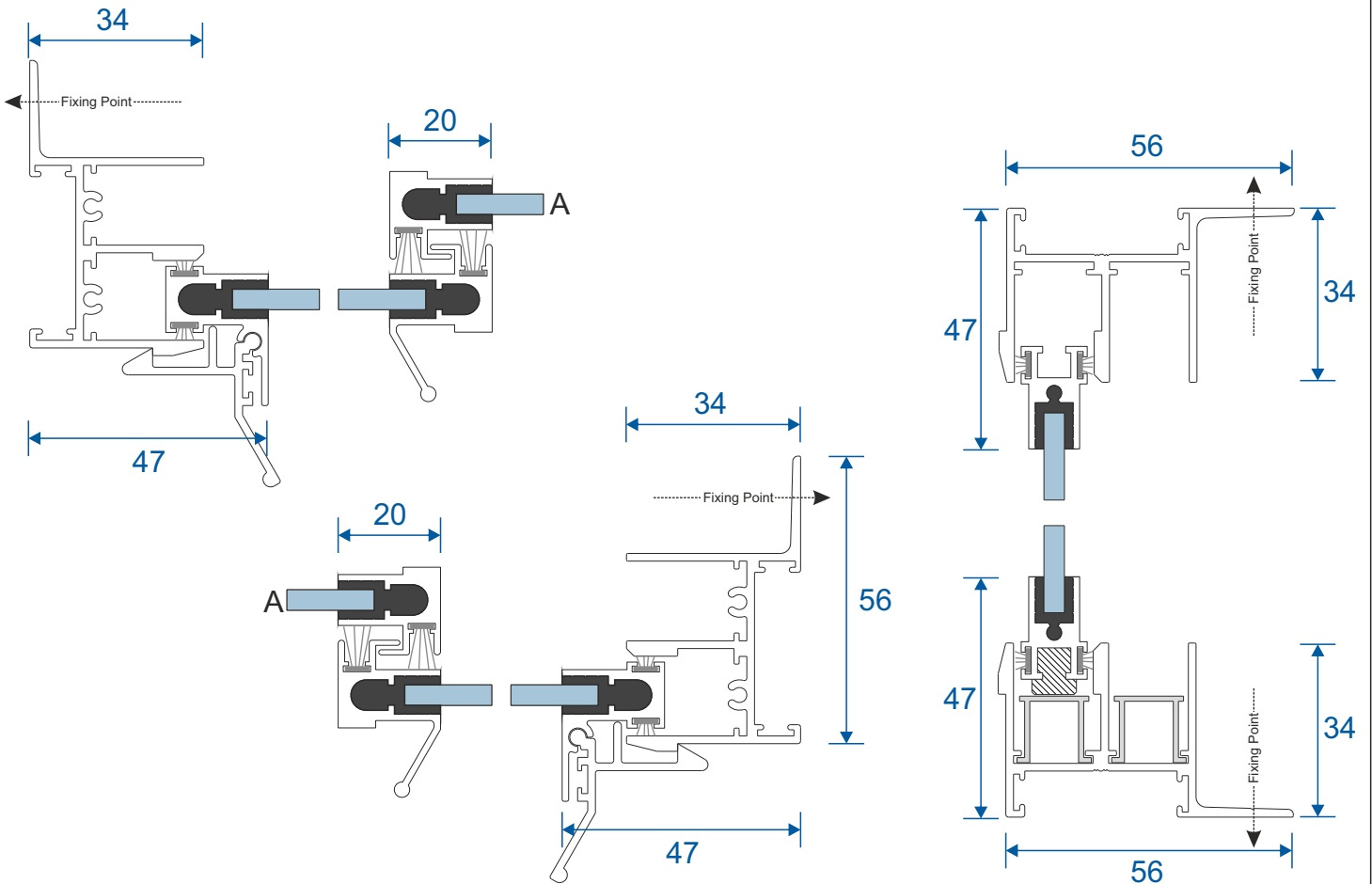
# 3 Pane Slider - Middle Pane Fixed



## Face Fix



## Reveal Fix

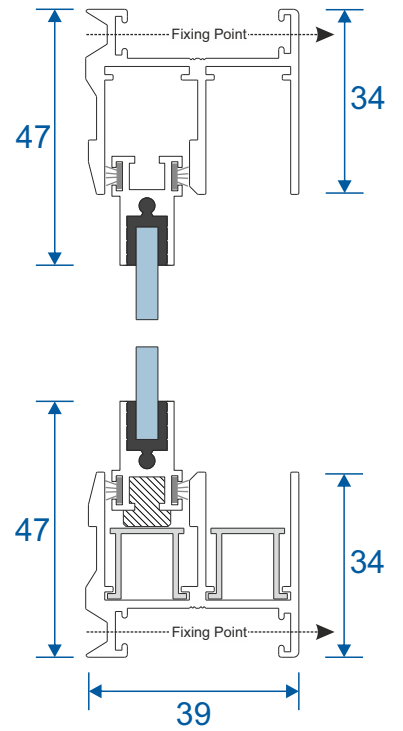
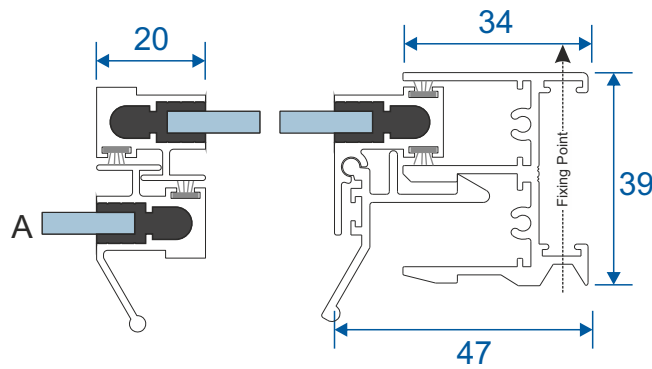
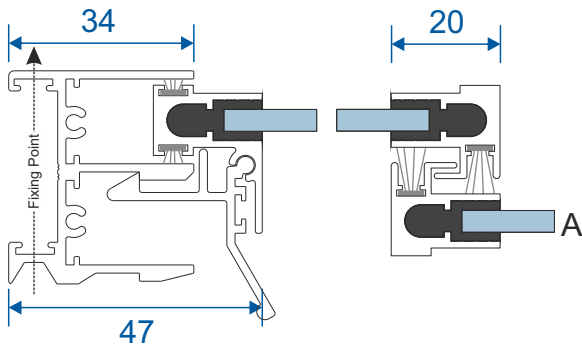


# 3 Pane Slider - All Panes Moving

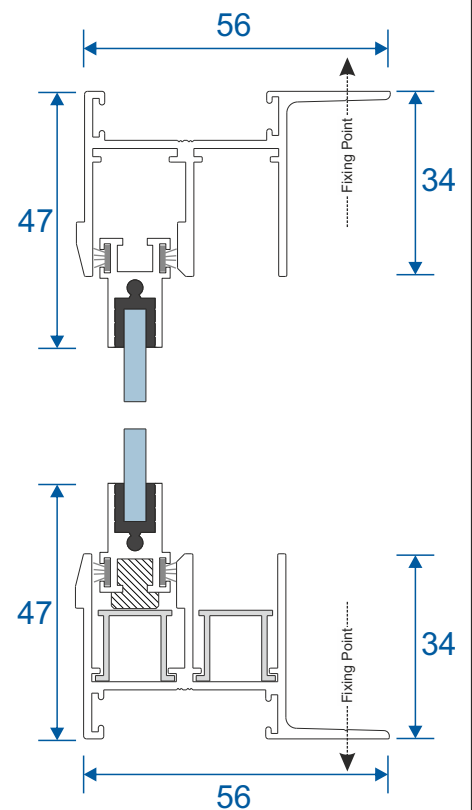
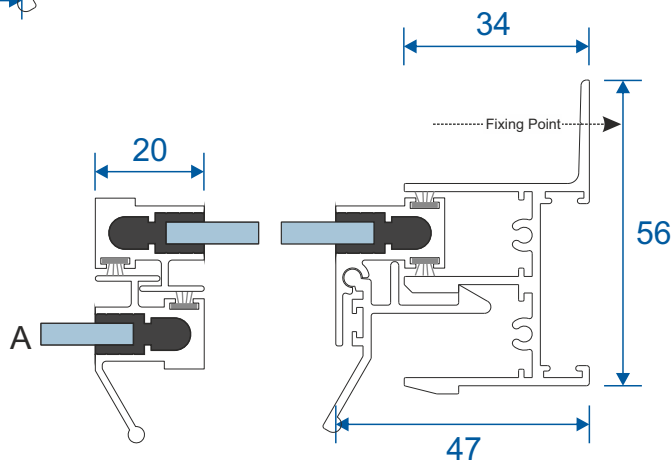
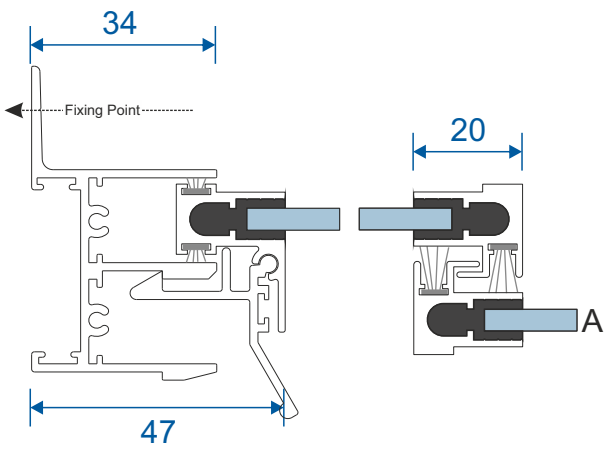


Front Track - Interior

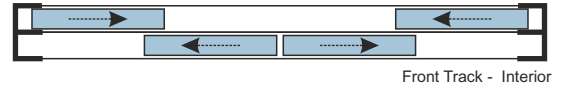
## Face Fix



## Reveal Fix

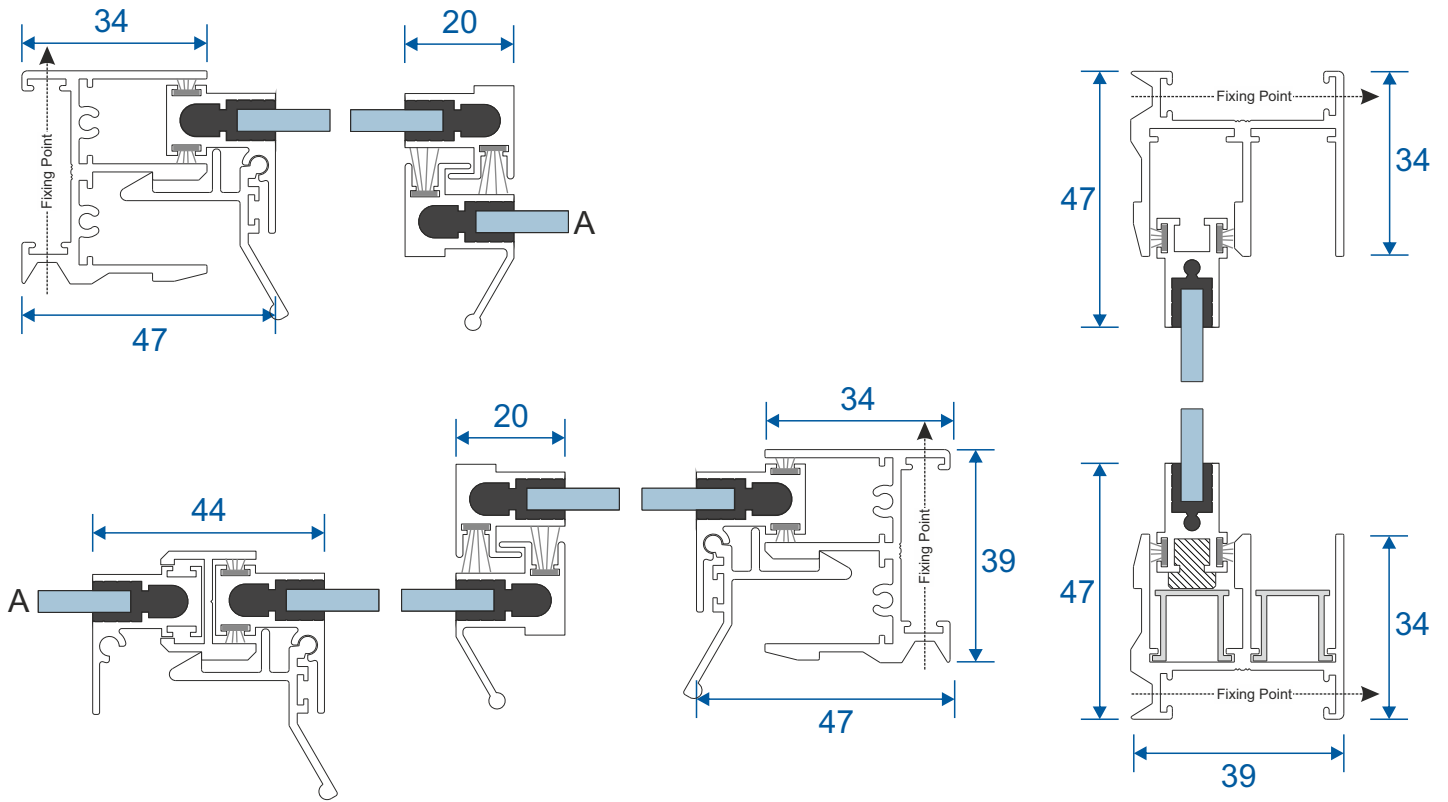


# 4 Pane Slider - All Panels Moving

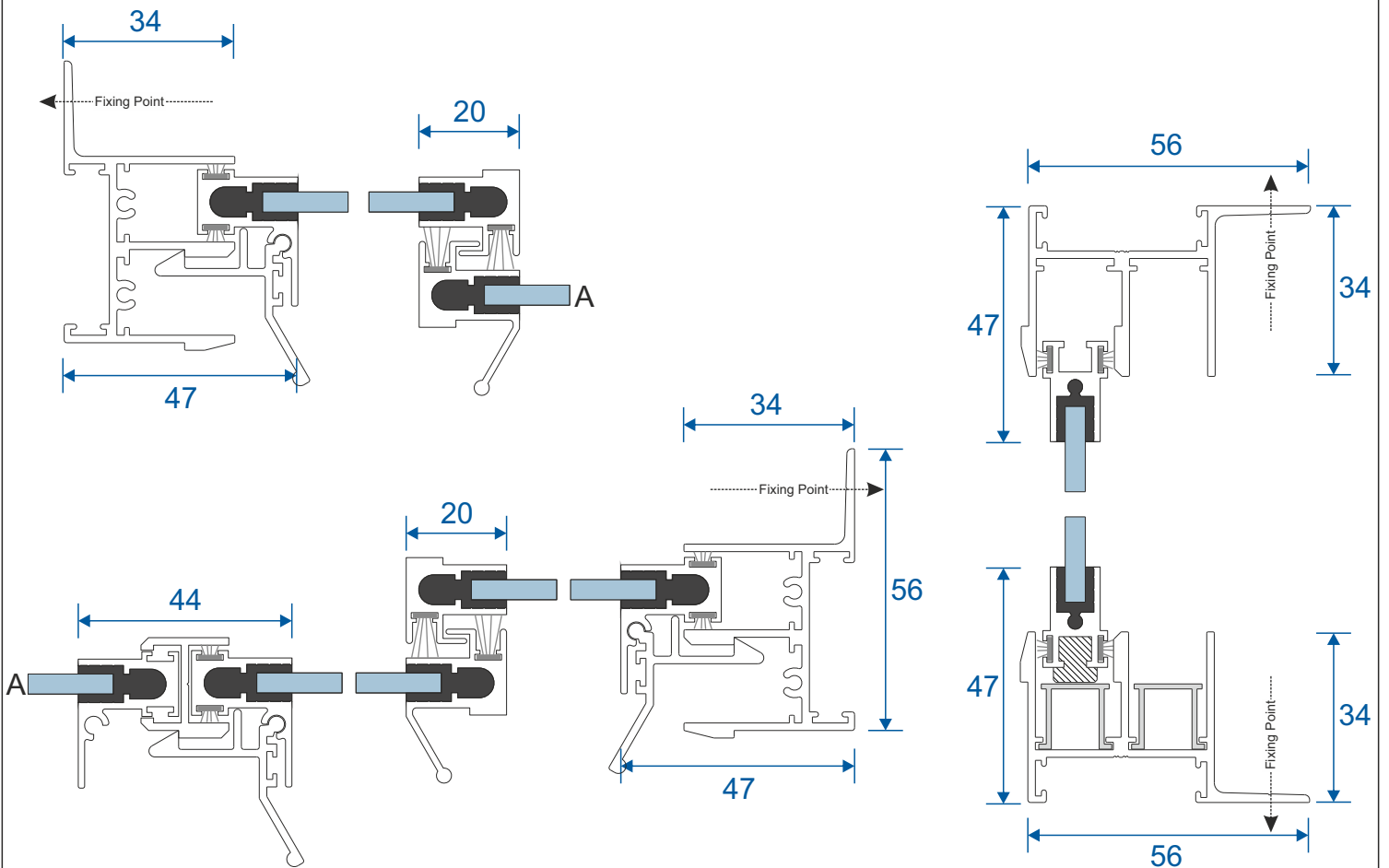


Front Track - Interior

## Face Fix

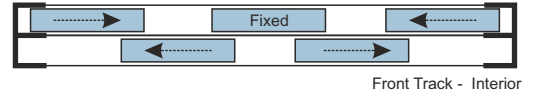


## Reveal Fix

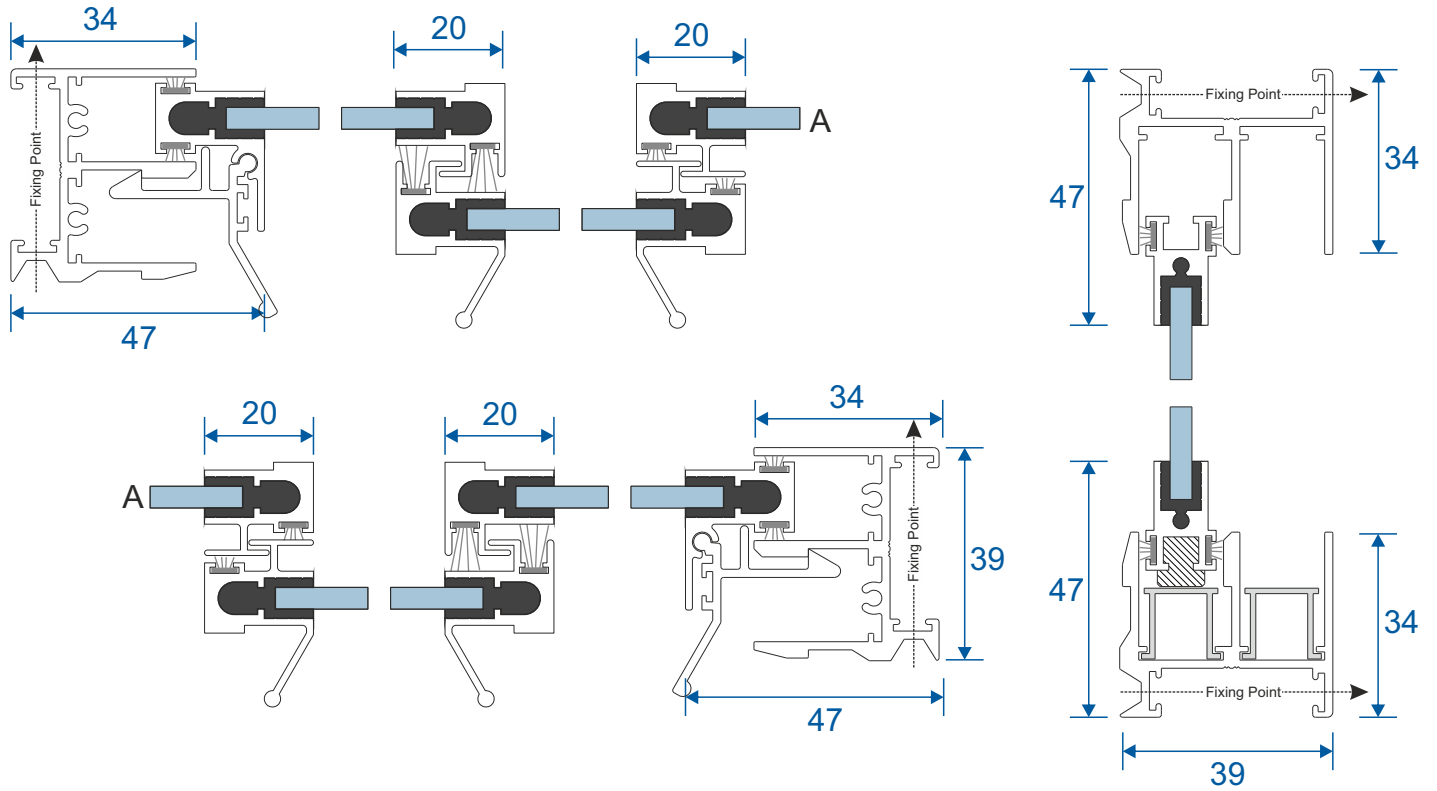




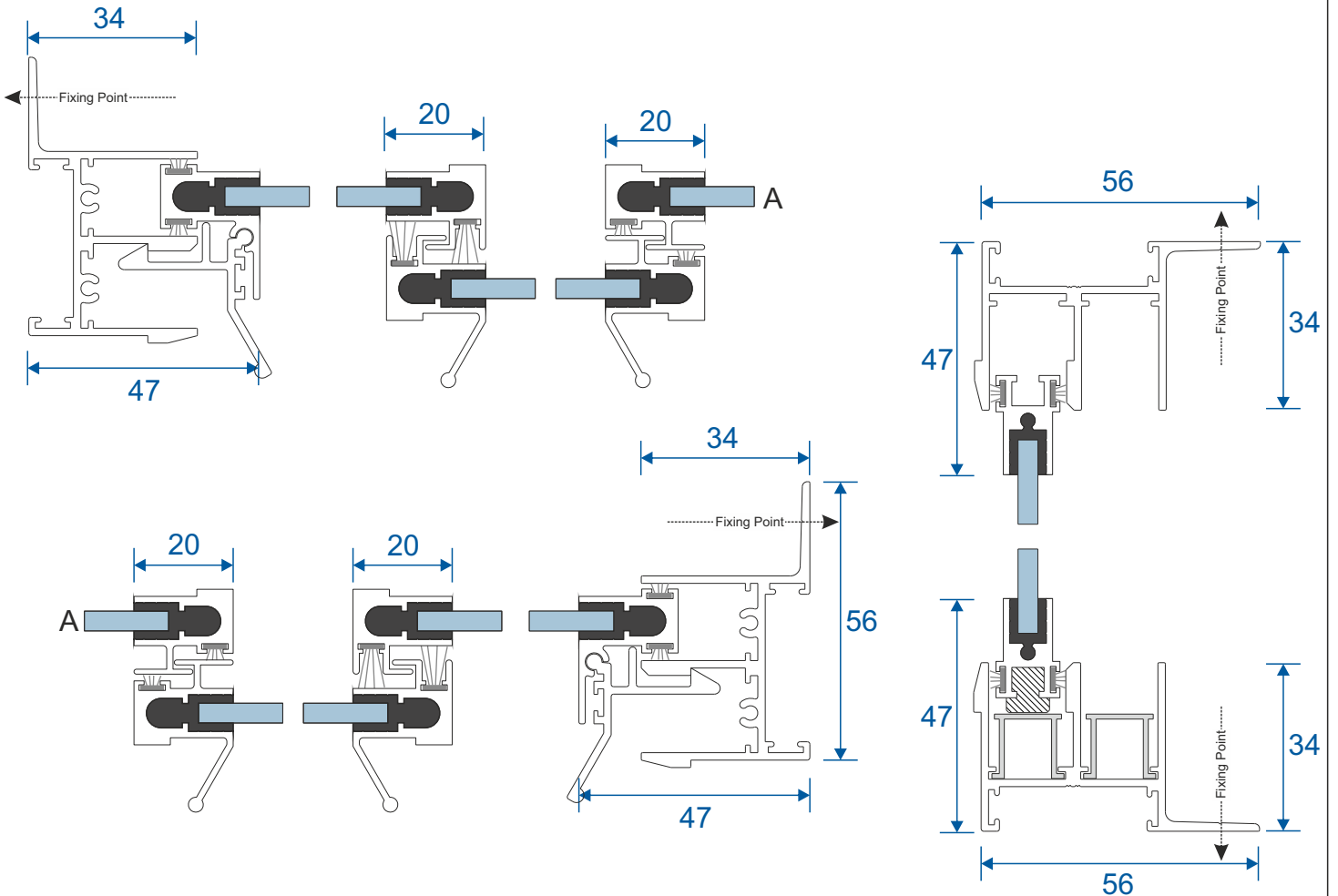
# 5 Pane Slider - Middle Pane Fixed



## Face Fix



## Reveal Fix



Duration Windows  
Thames Development  
Charfleets Road  
Canvey Island  
Essex. SS8 0PQ

[sales@duration.co.uk](mailto:sales@duration.co.uk)  
[www.duration.co.uk](http://www.duration.co.uk)

**Head Office** 01268 681612  
**Showroom** 01268 695100